

COPPER PRESS FIT FITTINGS (M PROFILE)

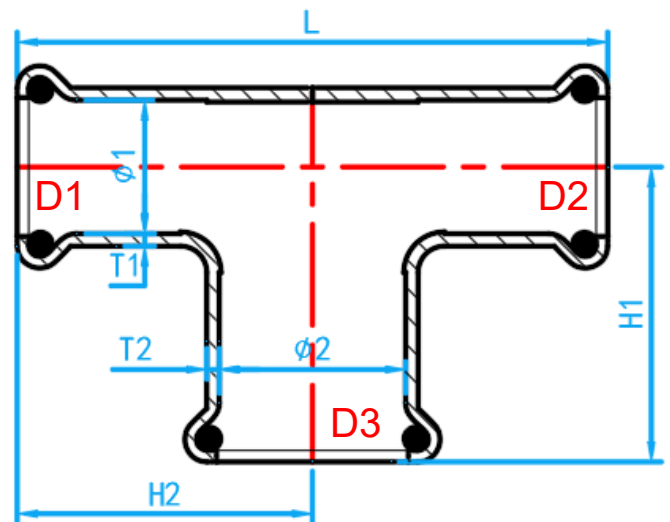
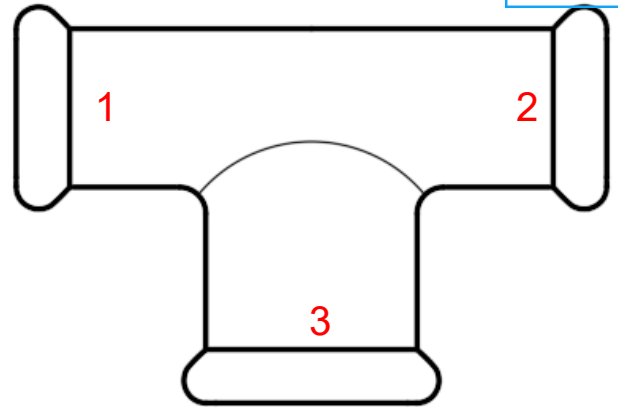


A Product of the nPressGuard[®] Solution

COMPLY WITH BSEN1254-2: 1998



REDUCING TEE



CROSS SECTIONAL VIEW

DIMENSIONS

SKU	Ø1 (mm)	Ø2 (mm)	H1 (mm)	H2 (mm)	L [mm]	T1 (mm)	T2 (mm)	WEIGHT (Kg)	PCS/CTN
PFNRT0151520	15	22	35.4	14.3	74.6	1.5	1.5	0.109	100